

# PRODUCT SPECIFICATIONS / INFO



\*Disclaimer



## 1222-2KL

**UPC Code:** 07847732698

**Country of Origin:** United States - \*Eligible for ARRA funded projects

### Description

20 Amp, 120/277 Volt, Key Locking Double-Pole AC Quiet Switch, Extra Heavy Duty Spec Grade, Self Grounding, Back & Side Wired, - Chrome

### Product Features

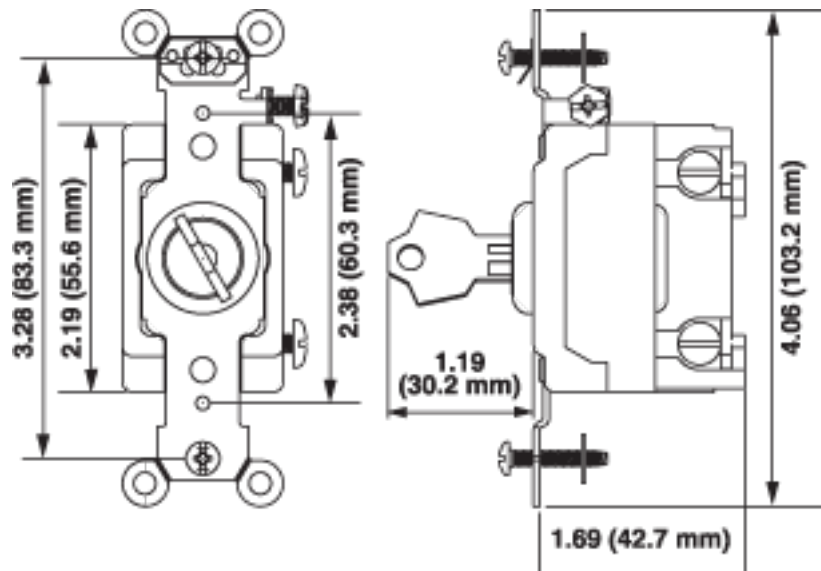
Color: Chrome

AC Horsepower Ratings	
HP Rating	1HP-120V 2HP-240V
Max. Amperage	16 Amp
Environmental Specifications	
Flammability	Rated V-2 per UL94
Operating Temperature	-40°C to 65°C
Mechanical Specifications	
Termination	Back & Side
Terminal ID	Brass-Hot Black-Hot White-Neutral Green-Gnd
Terminal Accom.	14-#10 AWG back wired; #14-#12 AWG side wired
Product ID	Ratings are permanently marked on device
Torque Range	12-14 inch pounds

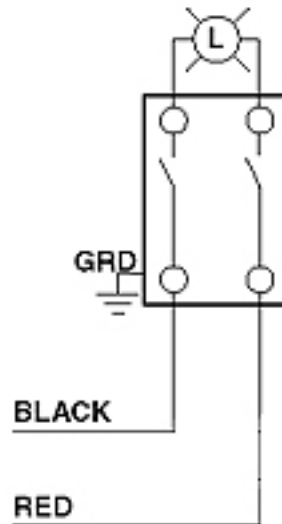
Electrical Specifications	
Amperage	20 Amp
Voltage	120/277 Volt
Grounding	Self-Grounding
Dielectric Voltage	Withstands 1500V for 1 minute
Overload UL20 Test	100 cycles of OL at 4.8 times rated current
Temperature Rise	Maximum 30 degrees C rise
Endurance	50,000 cycles minimum

Material Specifications	
Strap Material	Steel
Body Material	Thermoplastic
Actuator Material	Steel
Color	Chrome

Standards and Certifications	
NEMA	WD-1 & WD-6
ANSI	C-73
UL Standard	UL 20
CSA C22.2 No. 111	File #152105
NOM	057
Warranty	10 Year Limited



**Wiring Diagram  
Double Pole**



**SPECIFICATION SUBMITTAL**

JOB NAME:	CATALOG NUMBERS:	
JOB NUMBER:		

**Leviton Manufacturing Co., Inc.**

201 North Service Road, Melville, NY 11747

Telephone: 1-800-323-8920 · FAX: 1-800-832-9538 · Tech Line (8:30AM-7:30PM E.S.T. Monday-Friday): 1-800-824-3005

**Leviton Manufacturing of Canada, Ltd.**

165 Hymus Boulevard, Pointe Claire, Quebec H9R 1E9 · Telephone: 1-800-469-7890 ·

FAX: 1-800-824-3005 · [www.leviton.com/canada](http://www.leviton.com/canada)

**Leviton S. de R.L. de C.V.**

Lago Tana 43, Mexico DF, Mexico CP 11290 · Tel.: (+52)55-5082-1040 · FAX: (+52)5386-1797 ·

[www.leviton.com.mx](http://www.leviton.com.mx)



**Visit our Website at: [www.leviton.com](http://www.leviton.com)**

© 2007-2011 Leviton Manufacturing Co., Inc. All rights reserved. Subject to change without notice.

**Leviton has a global presence.**

If you would like to know where your local Leviton office is located please go to:

[www.leviton.com/international/contacts/](http://www.leviton.com/international/contacts/)

*\*Buy American Compliant Logo -- The American Recovery And Reinvestment Act of 2009 ("ARRA") provides federal grants and loans for projects throughout the country. Section 1605 of the Act, named the "Buy American" provision, requires that certain materials and manufactured products used in projects funded by the Act be manufactured in the United States. The appearance of the Recovery Act Logo in relation to a Leviton product is only intended to reflect that such product may be used in an ARRA funded project. It does not mean that such product or Leviton is sponsored or endorsed by, or that Leviton receives funds from, the federal government or the Recovery Accountability and Transparency Board. Nothing in Leviton's use of the logo is intended to suggest anything regarding the requirements for funding under ARRA.*