

# HAI Omni-Bus 6-Channel Switch Interface with LED Outputs

## Model 114A00-1

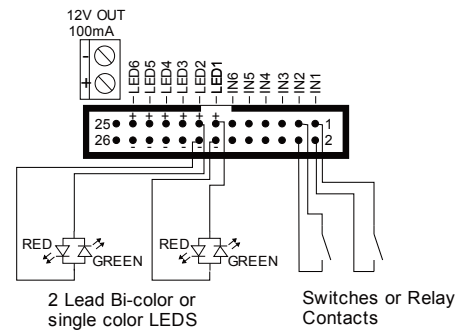
### Installation Instructions and User's Guide



#### Specifications

- Supply voltage: 15-24VDC (via bus network cable)
- Supply current: 40mA maximum (without 12VDC output consumption)
- Auxiliary Output voltage: 12VDC @ 100mA max
- Ambient Temperature: 0 – 40 °C (32 – 104 °F)
- Ingress Protection: IP20
- Dimensions: 46 x 50 x 21mm
- LED drive current: 5mA maximum per LED
- Switch input maximum contact resistance: 1kohm
- Maximum recommended switch input cable length: 10m

#### Wiring Diagram

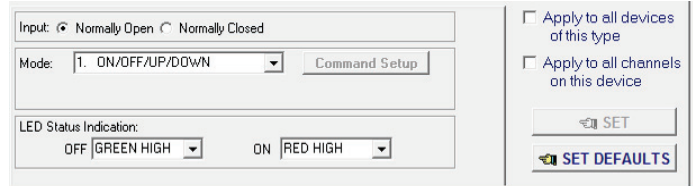


#### Installation

- Connections to the switch inputs and LED outputs can be made by using the 150mm connector cables (Not included). One cable is required for each input or LED output.
- Do not connect any mains wiring to the Interface. The Interface connects directly to the HAI Omni-Bus network cable via 2 RJ45 connectors.
- The Interfaces are designed for indoor use only. For outdoor use a suitable enclosure should be used.
- Keep switch input and LED connection wires away from mains wiring and any electrical noise sources.
- Choose a location free of water, humidity, direct sunlight or heavy dust.
- Use the auxiliary 12V output to power external 12V devices (example Passive Infra Red Alarm Sensors) consuming not more than 100mA in total.
- A safe isolation distance should be kept between all mains wiring and the Bus network cable
- See the *HAI Omni-Bus Network Installation Guide* for more information on the Bus network wiring

#### Setup

- To link an input channel to an output device without using the HAI OMNIBUS installation software:
  - Place the output device into programming mode
  - Close the input until the unit status LED flashes at a faster rate
  - Exit programming mode on the output device
- Setup from OMNIBUS installation software:
  - Enter the Interface setup by double clicking on one of the interface channels in the device list after a LIST DEVICES
  - Use the **Setup Tab** to change the interface operating mode
  - The mode for each input can be changed individually
  - Use the **Links Tab** to link the inputs to output devices



#### Operation

- The command issued to the linked output device depends on the Operating Mode of the specific channel (*see Operating Modes*)
- Each input can be set to operate as either a normally closed or normally open contact.

#### Status LED

- The LED color and intensity can be set for each output state (OFF and ON)
- Status indication is performed automatically for any output device linked to the wall switch. When more than one output device is linked to the same button, the status of any one of the output devices will be shown.

#### Operating Modes

The operating mode for each button is only programmable via the OMNIBUS installation software.

1. ON/OFF/UP/DOWN: Press and release button to send an ON, OFF or TOGGLE command. Press and hold the button to send an UP or DOWN command. When linked to an output device, the command send will depend on the current status of the output device. When no linked device is detected, a TOGGLE command will be send.
2. ON/OFF: Same as 1 but with no dimming (UP/DOWN) commands.
3. UP/DOWN: Sends dimming commands only
4. ON: Button press always switches output device on
5. OFF: Button press always switches output device off
6. UP: Button press always increases light level
7. DOWN: Button press always decreases light level
8. ON/UP: Sends ON command when press and released or UP command when button is held.
9. OFF/DOWN: Sends OFF command when press and released or DOWN command when button is held.
10. BUTTON PRESSED = ON / RELEASED = OFF
11. ON WHEN BUTTON PRESSED
12. OFF WHEN BUTTON RELEASED
13. ALARM INPUT – Send an ON command on activation. For use with Infra red alarm sensors or door contacts. Implements automatic dead zones and command repeat functionality
14. PANIC – Send an ON command on activation. Repeated command transmission for increased reliability.
15. SPECIFIC COMMAND – Sends a specific programmable command (ON, OFF, LEVEL, TIMED, STROBE or FADE). The command can also be repeated at preset intervals while the input is activated.