

1103-2W



UPC Code: 07847714136

Country of Origin: United States - **Eligible for ARRA funded projects*



AC Switches

Item Description

15 Amp, 120/277 Volt, Toggle 3-Way AC Quiet Switch, Industrial Grade, Self Grounding, Side Wired, - White

Technical Information

AC Horsepower Ratings

HP Rating: 1/2HP-120V 2HP-240V

Max. Amperage: 12 Amp

Electrical Specifications

Amperage: 15 Amp

Voltage: 120/277 Volt

Grounding: Self Grounding

Dielectric Voltage: Withstands 1500V for 1 minute

Overload UL20 Test: 100 cycles of OL at 4.8 times rated current

Temperature Rise: Maximum 30 degrees C rise

Endurance: 50,000 cycles minimum

Environmental Specifications

Flammability: Rated V-2 per UL94

Operating Temperature: -40°C to 65°C

Material Specifications

Strap Material: Steel

Body Material: Thermoplastic

Actuator Material: Thermoplastic

Color: White

Mechanical Specifications

Termination: Side

Terminal ID: Brass-Hot Black-Hot White-Neutral Green-Gnd

Terminal Accom.: 14-12 AWG

Product ID: Ratings are permanently marked on device

Torque Range: 12-14 inch pounds

Product Features

Color: White

Standards and Certifications

NEMA: WD-1 & WD-6

ANSI: C-73

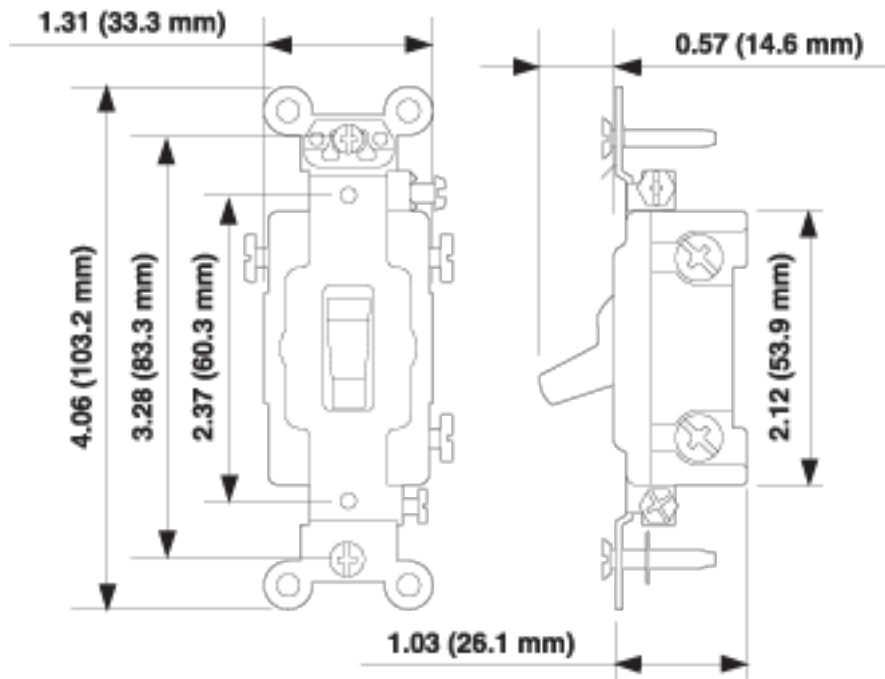
UL Standard: UL 20

UL Fed Spec WS896E: File #E7458

CSA C22.2 No. 111: File #152105

NOM: 057

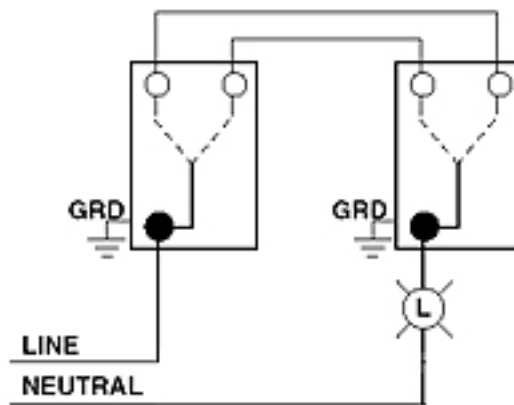
Warranty: 10 Year Limited



3-WAY

Wiring Diagram

3-Way to 3-Way



SPECIFICATION SUBMITTAL

JOB NAME:	CATALOG NUMBERS:	
<input type="text"/>	<input type="text"/>	<input type="text"/>
JOB NUMBER:	<input type="text"/>	<input type="text"/>

Leviton Manufacturing Co., Inc.

201 North Service Road, Melville, NY 11747

Telephone: 1-800-323-8920 · FAX: 1-800-832-9538 · Tech Line (8:30AM-7:30PM E.S.T. Monday-Friday): 1-800-824-3005

Leviton Manufacturing of Canada, Ltd.

165 Hymus Boulevard, Pointe Claire, Quebec H9R 1E9 · Telephone: 1-800-469-7890 ·

FAX: 1-800-824-3005 · www.leviton.com/canada

Leviton S. de R.L. de C.V.

Lago Tana 43, Mexico DF, Mexico CP 11290 · Tel.: (+52)55-5082-1040 · FAX: (+52)5386-1797 · www.leviton.com.mx

Visit our Website at: www.leviton.com

© 2012 Leviton Manufacturing Co., Inc. All rights reserved. Subject to change without notice.



Leviton has a global presence.

If you would like to know where your local Leviton office is located please go to: www.leviton.com/international/contacts/

**Buy American Compliant Logo -- The American Recovery And Reinvestment Act of 2009 ("ARRA") provides federal grants and loans for projects throughout the country. Section 1605 of the Act, named the "Buy American" provision, requires that certain materials and manufactured products used in projects funded by the Act be manufactured in the United States. The appearance of the Recovery Act Logo in relation to a Leviton product is only intended to reflect that such product may be used in an ARRA funded project. It does not mean that such product or Leviton is sponsored or endorsed by, or that Leviton receives funds from, the federal government or the Recovery Accountability and Transparency Board. Nothing in Leviton's use of the logo is intended to suggest anything regarding the requirements for funding under ARRA.*