

100RB-1E



UPC Code: 07847712806

Country of Origin: Please Contact Customer Service

Description

100 Amp, 125-Volt, 2-Pole, 3-Wire, Stage Pin, Panel Mount Female Receptacle-Set Screw Terminal, Bolt-On Mounting - Black

Product Features

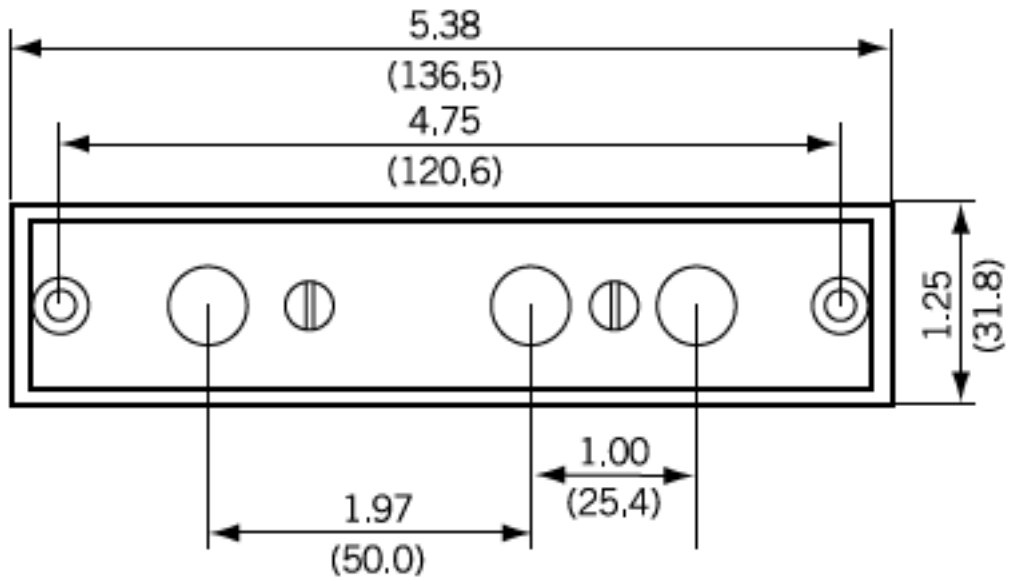
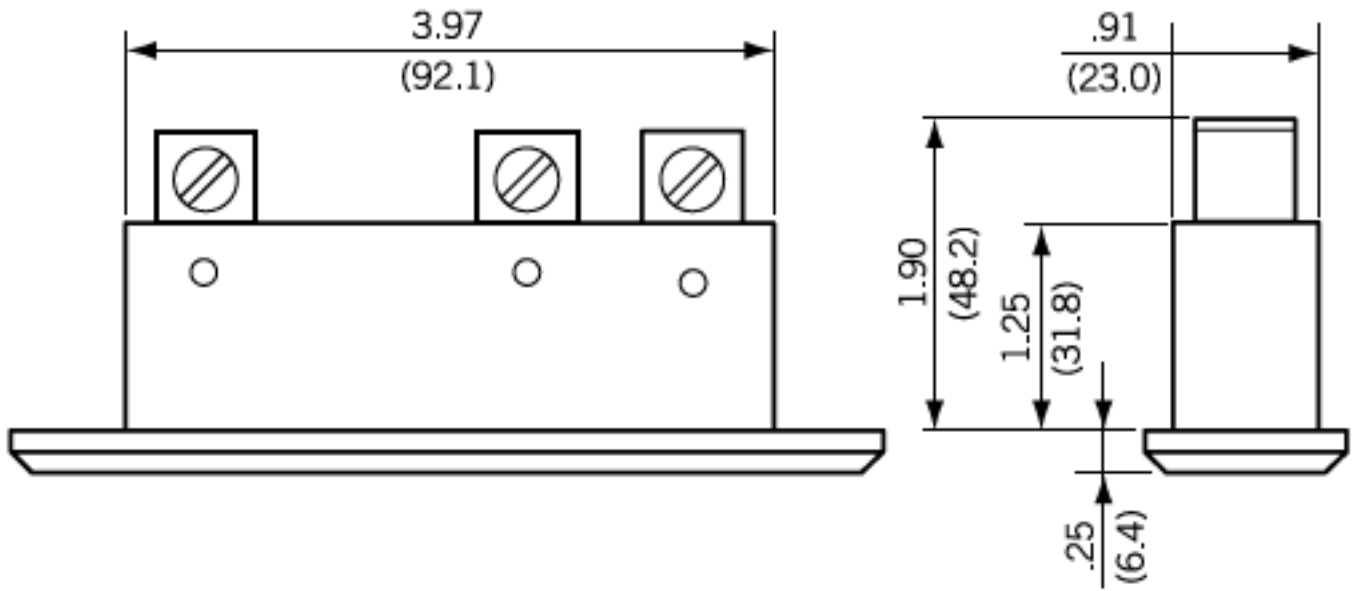
Color: Black



Color: Black

Electrical Specifications	
Grounding	Grounding
Amperage	100 Amp
Voltage	125 Volt
Pole	2
Wire	3
Maximum Working Voltage	125V as rated
Standards and Certifications	
UL	Listed

Material Specifications	
Body Material	Phenolic
Contacts	Solid Brass



SPECIFICATION SUBMITTAL

JOB NAME:	CATALOG NUMBERS:	
<input type="text"/>	<input type="text"/>	<input type="text"/>
JOB NUMBER:	<input type="text"/>	<input type="text"/>

Leviton Manufacturing Co., Inc.

201 North Service Road, Melville, NY 11747

Telephone: 1-800-323-8920 · FAX: 1-800-832-9538 · Tech Line (8:30AM-7:30PM E.S.T. Monday-Friday): 1-800-824-3005

Leviton Manufacturing of Canada, Ltd.

165 Hymus Boulevard, Pointe Claire, Quebec H9R 1E9 · Telephone: 1-800-469-7890 ·

FAX: 1-800-824-3005 · www.leviton.com/canada

Leviton S. de R.L. de C.V.

Lago Tana 43, Mexico DF, Mexico CP 11290 · Tel.: (+52)55-5082-1040 · FAX: (+52)5386-1797 ·

www.leviton.com.mx

Visit our Website at: www.leviton.com

© 2007-2011 Leviton Manufacturing Co., Inc. All rights reserved. Subject to change without notice.

Leviton has a global presence.

If you would like to know where your local Leviton office is located please go to:

www.leviton.com/international/contacts/

