

PRODUCT SPECIFICATIONS / INFO

LEVITON



**Disclaimer*



10020

UPC Code: 07847712116

Country of Origin: Mexico - **Eligible for ARRA funded projects > \$7,443,000*

Description

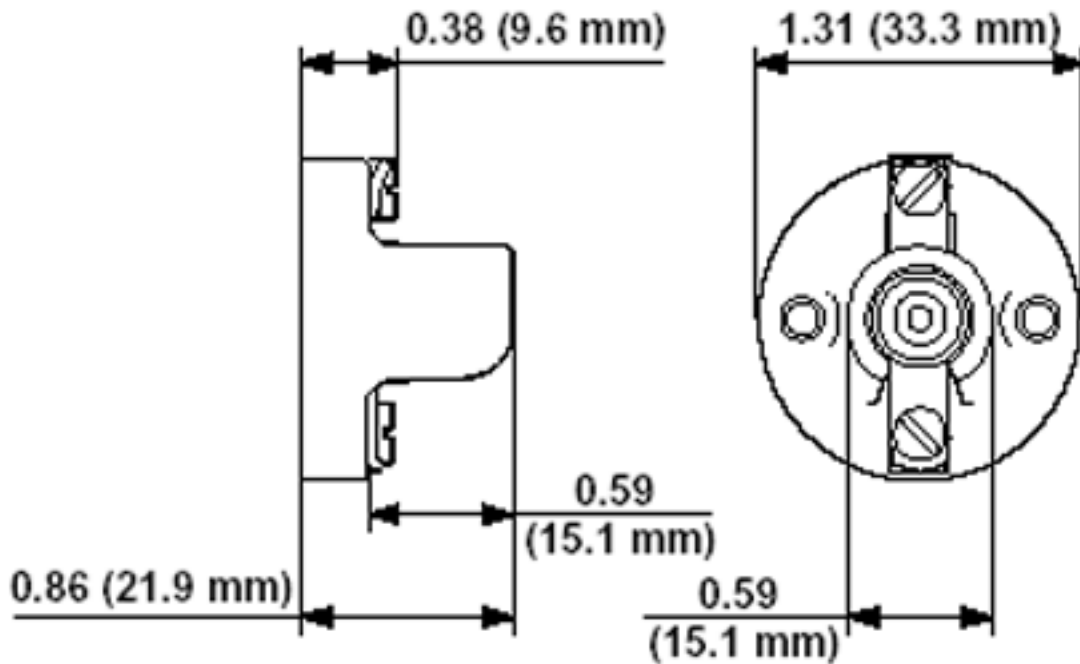
Miniature Base, One-Piece, Keyless, Incandescent, Urea Lampholder, Pony Cleat, Single Circuit, Open Terminal, - White

Product Features

Lamp Socket Base: Miniature
Construction: One-Piece
Mounting Type: Pony Cleat
Circuit: Single Circuit
Access: Open Terminal
Termination: 2-Terminal Screws
Mounting Type: Surface Mtg
Screw Shell Material: Aluminum
Body Material: Urea
Standards and Certifications: Non-UL
Warranty: 1 Year Limited
Availability: Distribution

Electrical Specifications	
Circuit	Single Circuit
Wattage Rating	75W
Voltage	125 Volt
Mechanical Specifications	
Access	Open Terminal

Material Specifications	
Color	White
Availability	Distribution



SPECIFICATION SUBMITTAL

JOB NAME: <input type="text"/>	CATALOG NUMBERS: <input type="text"/>	
JOB NUMBER: <input type="text"/>	<input type="text"/>	<input type="text"/>

Leviton Manufacturing Co., Inc.

201 North Service Road, Melville, NY 11747
 Telephone: 1-800-323-8920 · FAX: 1-800-832-9538 · Tech Line (8:30AM-7:30PM E.S.T. Monday-Friday): 1-800-824-3005

Leviton Manufacturing of Canada, Ltd.

165 Hymus Boulevard, Pointe Claire, Quebec H9R 1E9 · Telephone: 1-800-469-7890 · FAX: 1-800-824-3005 · www.leviton.com/canada

Leviton S. de R.L. de C.V.

Lago Tana 43, Mexico DF, Mexico CP 11290 · Tel.: (+52)55-5082-1040 · FAX: (+52)5386-1797 · www.leviton.com.mx



Visit our Website at: www.leviton.com

© 2007-2011 Leviton Manufacturing Co., Inc. All rights reserved. Subject to change without notice.

Leviton has a global presence.

If you would like to know where your local Leviton office is located please go to: www.leviton.com/international/contacts/

**Buy American Compliant Logo -- The American Recovery And Reinvestment Act of 2009 ("ARRA") provides federal grants and loans for projects throughout the country. Section 1605 of the Act, named the "Buy American" provision, requires that certain materials and manufactured products used in projects funded by the Act be manufactured in the United States. The appearance of the Recovery Act Logo in relation to a Leviton product is only intended to reflect that such product may be used in an ARRA funded project. It does not mean that such product or Leviton is sponsored or endorsed by, or that Leviton receives funds from, the federal government or the Recovery Accountability and Transparency Board. Nothing in Leviton's use of the logo is intended to suggest anything regarding the requirements for funding under ARRA.*