



AE-10

COMPACT SUBWOOFER SYSTEM

DESCRIPTION:

Characterized by a tight and punchy sound, the AE-10 adds depth and dramatic impact to musical passages. When mated with AE full-range loudspeakers, the AE-10 extends low frequency response without muddying or coloring the upper frequencies.

DRIVER COMPLEMENT:

Dual Apogee 15" (381mm) permanent magnet cone-type drivers are treated with a waterproofing compound, providing resistance to moisture, and enabling long-term stability of cone resonance and cone mass parameters; also treated with Ferrofluid® for greater power handling capability, lower distortion, and control of short-term impedance rise

INPUT CONNECTORS:

Neutrik™ NL4MP Speakon™ connectors standard; Cannon EP series and gas-tight barrier strips optional

COMPATIBLE PROCESSORS:

DLC24 Digital Controller

HANDLES:

Eight handles designed as an integral part of the enclosure (no moving parts)

GRILLE:

Powder-coated, diamond-punched steel with acoustic foam covering

TRIM:

Optional protective steel trim pieces on top and bottom edges; powder-coated for durability

RIGGING HARDWARE:

Four 12-gauge steel nutplates, mounted two on top and two on bottom, recessed, nominally flush; accepts 3/8"-16 thread (10mm nutplate or Aeroquip Pan fittings optional); nutplates are backed with 12-gauge steel internal brackets

FINISH:

Textured high-strength black epoxy paint; other colors optional

ENCLOSURE TYPE:

20° trapezoidal, optimally-vented bass

CABINET CONSTRUCTION:

Multi-ply birch with stainless steel fasteners

ENGINEERING DATA:

FORMAT:

Single-amped/Electronically-coupled

DISPERSION:

Omni-directional

FREQUENCY RESPONSE (1M ON AXIS):

38 Hz to 120 Hz ± 3 dB

MAX. SPL (@1M):

128 dB cont./134 dB peak

PTML (PEAK TRANSIENT MECHANICAL LIMIT):

151 dB

SENSITIVITY (1W @ 1M):

95 dB/20 Hz to 100 Hz, each driver

NOMINAL IMPEDANCE:

8 ohms, each driver; separate connections to each driver

MAX. POWER HANDLING:

1000W cont./3200W peak (500W cont./1600W peak, each driver)

DIMENSIONS:

front: 32" (813mm) W x 22.5" (572mm) H

rear: 25" (635mm) W x 22.5" (572mm) H

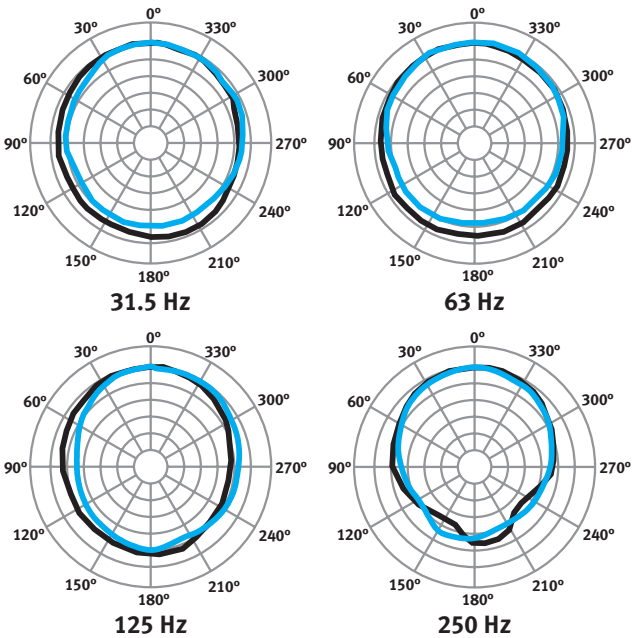
depth: 24" (610mm)

WEIGHT:

131 lb. (59.5 kg)

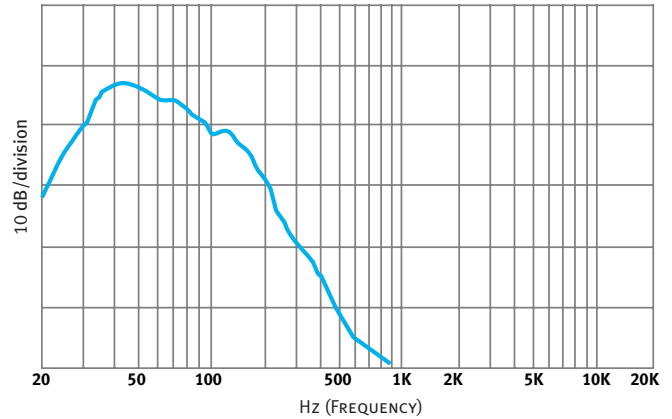
APOGEE
SOUND INTERNATIONAL

POLAR MEASUREMENTS AE-10 (6 dB/division, normalized)



HORIZONTAL ——— All polar measurements obtained in a free-field environment at 10° increments.
VERTICAL ———

FREQUENCY RESPONSE AE-10 (with controller)



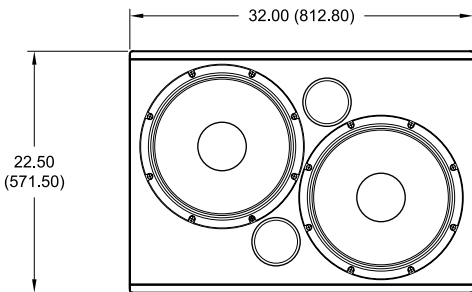
Measured in a free-field anechoic environment using a swept one-third octave input.

PROCESSOR NOTES:

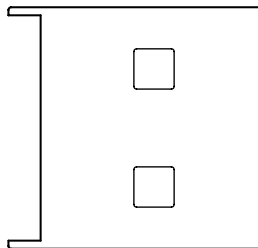
The DLC24 Digital Loudspeaker Controller is a digital engine with an analog surface. It combines the most advanced technology available with intuitive interfaces to provide the key elements that ensure optimal loudspeaker system performance and management in a variety of live sound and fixed installation applications.

The controller provides factory-set equalization curves to smooth the response, protective limiting, and active crossovers (for bi-amplified models and subwoofers).

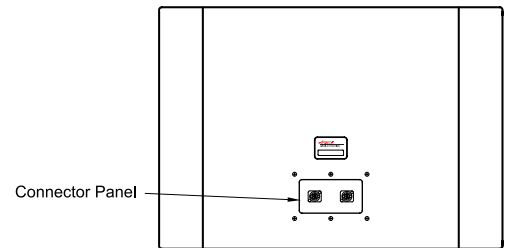
DIMENSIONAL DRAWINGS AE-10 (dimensions in inches and millimeters)



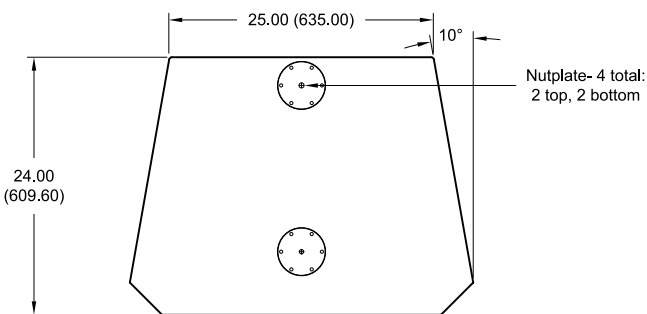
FRONT VIEW
(WITHOUT GRILLE)



SIDE VIEW
(WITHOUT GRILLE)



REAR VIEW



TOP VIEW

Nutplate- 4 total:
2 top, 2 bottom



50 SPRING STREET, RAMSEY, NJ 07446, USA
 TEL: 800-443-3979 • FAX: 800-999-9016 • www.apogee-sound.com