



# AE-5

## ARRAYABLE LOUDSPEAKER SYSTEM

### DESCRIPTION:

The AE-5 two-way, bi-amped system is the flagship of the Apogee line. This fully arrayable system functions brilliantly when used alone or as a building block for a large sophisticated system, thus making it one of the most versatile loudspeakers ever developed.

### DRIVER COMPLEMENT:

**LOW FREQUENCY:** One Apogee 12" (305mm) permanent magnet cone-type driver is treated with a waterproofing compound, providing resistance to moisture, and enabling long-term stability of cone resonance and cone mass parameters

**HIGH FREQUENCY:** One Apogee 1" (25mm) throat composite diaphragm compression driver is treated with Ferrofluid® for greater power handling capability, lower distortion, and control of short-term impedance rise

### INPUT CONNECTORS:

Neutrik™ NL4MP Speakon™ connectors standard; Cannon EP series and gas-tight barrier strips optional

### COMPATIBLE PROCESSORS:

DLC24 Digital Controller

### HANDLES:

Four handles designed as an integral part of enclosure (no moving parts)

### GRILLE:

Powder-coated, diamond-punched steel with acoustic foam covering

### TRIM:

Optional protective steel trim pieces on top and bottom edges; powder-coated for durability

### RIGGING HARDWARE:

Four 12-gauge steel nutplates, mounted two on top and two on bottom, recessed, nominally flush; accepts 3/8"-16 thread (10mm nutplate or Aeroquip Pan fittings optional); nutplates are backed with 12-gauge steel internal brackets

### FINISH:

Textured high-strength black epoxy paint; other colors optional

### ENCLOSURE TYPE:

20° trapezoidal, optimally-vented bass

### CABINET CONSTRUCTION:

Multi-ply birch with stainless steel fasteners

### ENGINEERING DATA:

#### FORMAT:

Bi-amped/Two-way/Electronically-coupled

#### DISPERSION:

H: 90° x V: 45°

#### FREQUENCY RESPONSE (1M ON AXIS):

53 Hz to 17 kHz ± 3 dB

#### MAX. SPL (@1M):

125 dB cont./131 dB peak

#### PTML (PEAK TRANSIENT MECHANICAL LIMIT):

144 dB

#### SENSITIVITY (1W @ 1M):

LF: 99 dB/100 Hz to 1 kHz

HF: 106 dB/1 kHz to 20kHz

#### NOMINAL IMPEDANCE:

8 ohms, each driver

#### MAX. POWER HANDLING:

LF: 300W cont./1200W peak

HF: 150W cont./600W peak

#### DIMENSIONS:

front: 14" (356mm) W x 23" (584mm) H

rear: 9.3" (236mm) W x 23" (584mm) H

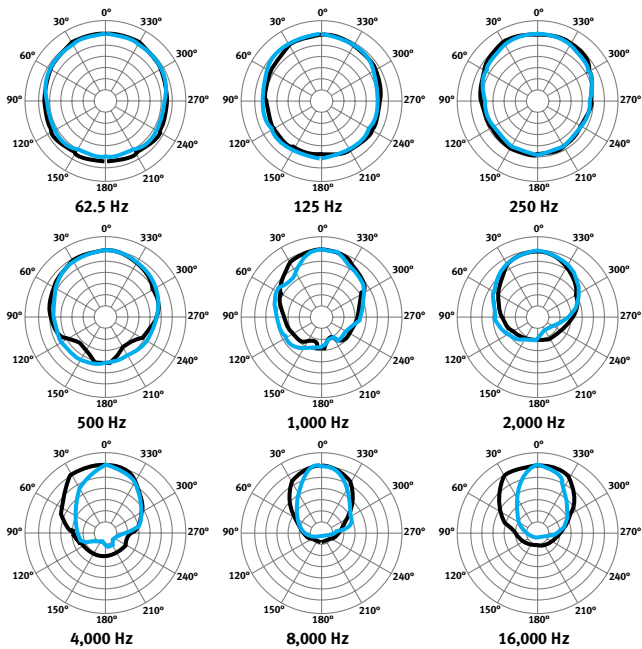
depth: 16.5" (419mm)

#### WEIGHT:

76 lb. (34.5 kg)

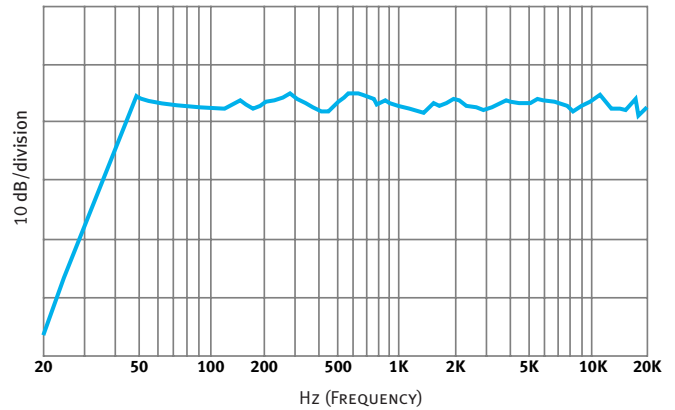
**APOGEE**  
SOUND INTERNATIONAL

## POLAR MEASUREMENTS AE-5 (6 dB/division, normalized)



**HORIZONTAL** — All polar measurements obtained in a free-field environment at 10° increments.  
**VERTICAL** —

## FREQUENCY RESPONSE AE-5 (with controller)



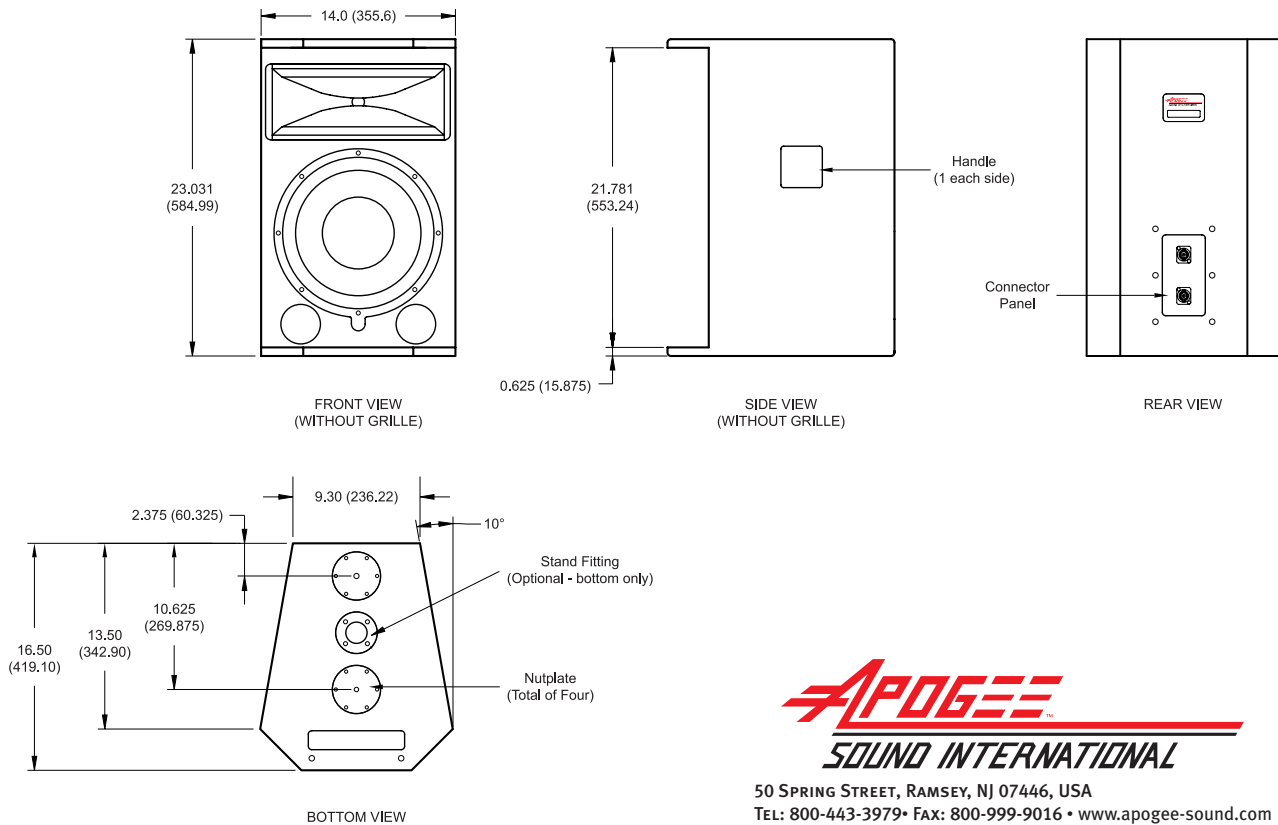
Measured in a free-field anechoic environment using a swept one-third octave input.

### PROCESSOR NOTES:

The DLC24 Digital Loudspeaker Controller is a digital engine with an analog surface. It combines the most advanced technology available with intuitive interfaces to provide the key elements that ensure optimal loudspeaker system performance and management in a variety of live sound and fixed installation applications.

The controller provides factory-set equalization curves to smooth the response, protective limiting, and active crossovers (for bi-amplified models and subwoofers).

## DIMENSIONAL DRAWINGS AE-5 (dimensions in inches and millimeters)



50 SPRING STREET, RAMSEY, NJ 07446, USA  
 TEL: 800-443-3979 • FAX: 800-999-9016 • www.apogee-sound.com