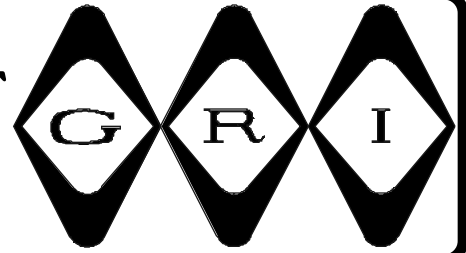


MINIATURE SURFACE MOUNT SWITCH SET



100/110 SERIES

- ◆ Miniature Profile Makes This Series Ideal For Residential and Light Commercial Applications
 - ◆ Surface Mount Magnetic Contact
- ◆ Screw Down Flange or Self Stick
 - ◆ 12" #22AWG Leads or Screw Terminals
 - ◆ Longer Leads, Zip Cord or Jacketed Cable Upon Request
- ◆ Hermetically Sealed
 - ◆ Plated Contacts Resist Sticking or Freezing
 - ◆ Covers and Mounting Hardware Included
- ◆ Built-in E.O.L. Resistors and Diodes Upon Request
 - ◆ Supervisory Loops Upon Request
- ◆ Switches and Magnets Available Separately
- ◆ Colors: White, Brown, Gray, Almond
 - ◆ Lifetime Warranty
 - ◆ Private Labeling Upon Request



100-12



100-T



100-TC



110-12



110-T

PART NUMBERS:

	Closed Loop	Open Loop	SPDT
Standard Gap Up To 1"	100-12	101-12	102-12
	100-T	101-T	
	100-TC	101-TC	
	110-12	111-12	112-12
	110-T	111-T	
Wide Gap Up To 1 1/4"	100-12WG	101-12WG	102-12WG
	100-TWG	101-TWG	
	100-TCWG	101-TCWG	
	110-12WG	111-12WG	112-12WG
	110-TWG	111-TWG	

WARRANTY:

Lifetime warranty against workmanship, material and factory defects.

GEORGE RISK INDUSTRIES, INC.
G.R.I. PLAZA
KIMBALL, NE 69145



MADE IN U.S.A.

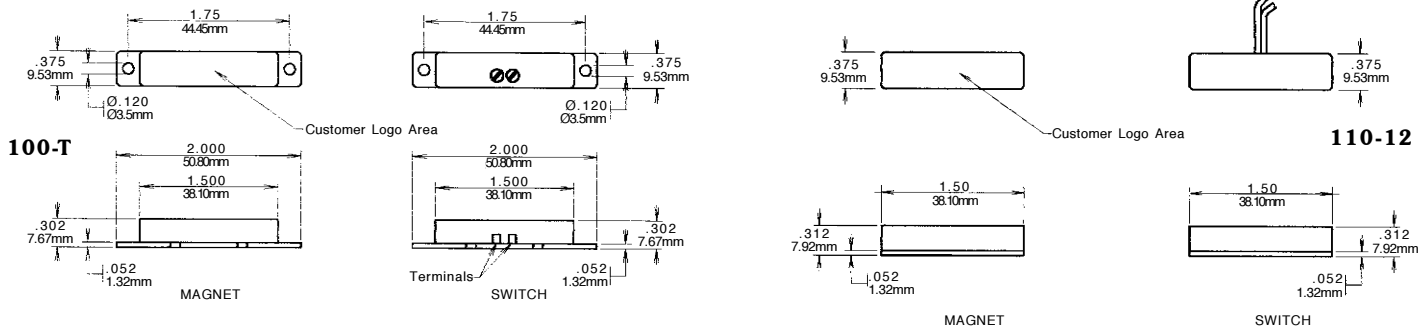
TOLL-FREE 1-800-445-5218
TOLL-FREE 1-800-523-1227
(308) 235-4645
FAX (308) 235-3561
E-MAIL: grisales@megavision.com
WEB SITE: www.grisk.com



MINIATURE SURFACE MOUNT SWITCH SET

INSTALLATION APPLICATIONS:

The G.R.I. 100 style switch is one of our most popular miniature surface mount switches. Available in both flanged: 100-12; and without flanges: 110-12; this low profile series is perfect for residential and commercial use where a larger configuration is not appropriate. Available in regular and wide gap, the set incorporates into most decor requirements without being noticeable. The 100-12 comes with mounting screws. Both the 100 and the 110 are furnished with 3M adhesive tape for proper mounting on aluminium, wood or vinyl. Spacers, switch only, magnet only and additional 3M adhesive tape are also available separately. Order P/N 100-TC if molded covers are desired.



GRI products meet or exceed these minimum general specifications:

PART NUMBER	LOOP TYPE	ELECTRICAL CONFIG.	REED FORM	MAXIMUM INITIAL CONTACT RESISTANCE (Ω)	MAXIMUM CONTACT RATING (W)	MAXIMUM SWITCHING VOLTAGE (VDC/VAC)	MAXIMUM SWITCHING CURRENT (A)
100-12	Closed	N/O	A	.150	10	200/140	.500
100-12WG	Closed	N/O	A	.150	10	200/140	.500
100-T	Closed	N/O	A	.150	10	160/110	.400
100-TWG	Closed	N/O	A	.150	10	160/110	.400
100-TC	Closed	N/O	A	.150	10	160/110	.400
100-TCWG	Closed	N/O	A	.150	10	160/110	.400
110-12	Closed	N/O	A	.150	10	200/140	.500
110-12WG	Closed	N/O	A	.150	10	200/140	.500
110-T	Closed	N/O	A	.150	10	160/110	.400
110-TWG	Closed	N/O	A	.150	10	160/110	.400
101-12	Open	N/C	B	.140	5	175VDC	.250
101-12WG	Open	N/C	B	.140	5	175VDC	.250
101-T	Open	N/C	B	.140	5	175VDC	.250
101-TC	Open	N/C	B	.140	5	175VDC	.250
101-TCWG	Open	N/C	B	.140	5	175VDC	.250
101-TWG	Open	N/C	B	.140	5	175VDC	.250
111-12	Open	N/C	B	.140	5	175VDC	.250
111-12WG	Open	N/C	B	.140	5	175VDC	.250
111-T	Open	N/C	B	.140	5	175VDC	.250
111-TWG	Open	N/C	B	.140	5	175VDC	.250
102-12	Open/Closed	SPDT	C	.140	5	175VDC	.250
102-12WG	Open/Closed	SPDT	C	.140	5	175VDC	.250
112-12	Open/Closed	SPDT	C	.140	5	175VDC	.250
112-12WG	Open/Closed	SPDT	C	.140	5	175VDC	.250

CONTACT YOUR G.R.I. DISTRIBUTOR OR CALL:

GEORGE RISK INDUSTRIES, INC.
GRI PLAZA
KIMBALL, NE 69145



MADE IN U.S.A.

TOLL-FREE 1-800-445-5218
TOLL-FREE 1-800-523-1227
(308) 235-4645
FAX (308) 235-3561

E-MAIL: grisales@megavision.com
WEB SITE: www.grisk.com