

AXIS 209FD/209MFD Network Cameras

Flat, discreet cameras for indoor video surveillance.



- > Flat, non-invasive design
- > Progressive scan
- > Megapixel resolution
- > Easy installation
- > Power over Ethernet

AXIS 209FD and AXIS 209MFD are flat, discreet network cameras designed specifically for non-invasive video surveillance. These ultra-compact network cameras are ideal for areas such as hotel receptions, shops and corridors.

AXIS 209FD provides VGA resolution, whereas AXIS 209MFD is a 1.3-megapixel network camera.

Progressive scan technology provides full resolution images of moving objects with no distortion – perfect for identifying individuals and objects of interest.

The network cameras are quick and easy to install. The direction of the lens can be manually adjusted by tilting and panning, which enables flexible installation.

Power over Ethernet (IEEE 802.3af) supplies power to the cameras via the network, which eliminates the need for power outlets and reduces installation costs.

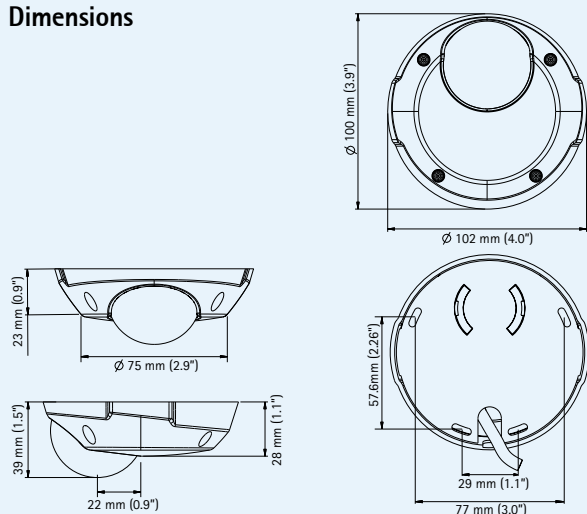


Technical specifications – AXIS 209FD/209MFD Network Cameras

| Camera | | Network | |
|--------------------------------|---|--|---|
| Models | AXIS 209FD: VGA AXIS 209MFD: Megapixel | Security | Password protection, IP address filtering, HTTPS encryption, Digest Authentication, User access log |
| Image sensor | AXIS 209FD: 1/4" Progressive Scan RGB CMOS VGA AXIS 209MFD: 1/3" Progressive Scan RGB CMOS 1.3 Megapixel | Supported protocols | IPv4/v6, HTTP, HTTPS, QoS Layer 3 DiffServ, FTP, SMTP, Bonjour, UPnP, SNMPv1/v2c/v3 (MIB-II), DNS, DynDNS, NTP, RTSP, RTP, TCP, UDP, IGMP, RTCP, ICMP, DHCP, ARP, SOCKS |
| Lens | AXIS 209FD: 3.0 mm, F2.0, fixed iris, horizontal angle of view: 66° AXIS 209MFD: 3.6 mm, F1.8, fixed iris, horizontal angle of view: 74° | System integration | |
| Light sensitivity | AXIS 209FD: 1.5 - 10000 lux, F2.0 AXIS 209MFD: 3 - 10000 lux, F1.8 | Application Programming Interface | Open API for software integration, including VAPIX® from Axis Communications available at www.axis.com |
| Shutter time | AXIS 209FD: 1/10000 s to 1/4 s AXIS 209MFD: 1/15000 s to 1/4 s | Intelligent video | Video motion detection |
| Camera angle adjustment | Pan ±10°, tilt 0 - 90°, rotation ±10° | Alarm triggers | Intelligent video |
| Pan/Tilt/Zoom | AXIS 209MFD: Digital PTZ, preset positions, guard tour | Alarm events | File upload via FTP, HTTP and email Notification via email, HTTP and TCP |
| Video | | Video buffer | AXIS 209FD: 9 MB pre- and post alarm AXIS 209MFD: 20 MB pre- and post alarm |
| Video compression | MPEG-4 Part 2 (ISO/IEC 14496-2) Motion JPEG | General | |
| Resolutions | AXIS 209FD: 160x120 - 640x480 AXIS 209MFD: 160x90 - 1280x1024 | Casing | Tamper-resistant casing |
| Frame rate MPEG-4 | AXIS 209FD: Up to 30 fps in max resolution AXIS 209MFD: Up to 8 fps in max resolution, higher frame rate in lower resolutions | Processors and memory | ARTPEC-A AXIS 209FD: 32 MB RAM, 8 MB Flash AXIS 209MFD: 64 MB RAM, 8 MB Flash |
| Frame rate Motion JPEG | AXIS 209FD: Up to 30 fps in max resolution AXIS 209MFD: Up to 12 fps in max resolution, higher frame rate in lower resolutions | Power | Power over Ethernet IEEE 802.3af Class 1 |
| Video streaming | Simultaneous MPEG-4 and Motion JPEG Controllable frame rate and bandwidth VBR/CBR MPEG-4 | Connectors | Female RJ-45 Ethernet 10BaseT/100BaseTX PoE |
| Image settings | Compression, color, brightness, sharpness, white balance, exposure control, mirroring, exposure zones, fine tuning of behavior at low light Text and image overlay Privacy mask | Operating conditions | 0 - 50 °C (32 - 122 °F) Humidity 20 - 80% RH (non-condensing) |
| | | Storage conditions | -30 - 70 °C (-22 - 158 °F) |
| | | Approvals | EN 55022 Class B, EN 55024, EN 61000-3-2, EN 61000-3-3, FCC Part 15 Subpart B Class B, VCCI Class B, ICES-003 Class B, C-tick AS/NZS CISPR 22, MIC Class B, EN 60950 |
| | | Weight | 180 g (0.40 lb.) |
| | | Included accessories | AXIS PoE Midspan 1-port, key for tamper-proof screws, Installation Guide, CD with installation tool, recording software and User's Manual, Windows decoder 1-user license |

More information is available at www.axis.com

Dimensions



Optional accessories



For information on AXIS Camera Station and video management software from Axis' Application Development Partners, see www.axis.com/products/video/software/