

AXIS 243SA Video server

Full featured, digital benefits for analog video surveillance systems.



- > Full frame rate in MPEG-4 and Motion JPEG
- > Video motion detection
- > Comprehensive security features
- > Two-way audio support
- > Support for PTZ and dome cameras

AXIS 243SA Video Server is designed to migrate analog systems into high-performance, IP-based solutions. This one-channel video server is the ideal choice for casinos, airports, traffic surveillance and prisons – anywhere an analog surveillance system is already installed and full frame rate is needed.

AXIS 243SA enables high resolution, full frame rate video surveillance and remote monitoring in MPEG-4 and Motion JPEG. It converts analog video into high quality, de-interlaced digital video, and can deliver the highest resolution, 4CIF, at 30/25 (NTSC/PAL) frames per second.

Event handling comprises a number of advanced functionalities such as video motion detection, image upload, scheduled and triggered event functionality with alarm notification.

A comprehensive set of security features, including multiple user access levels, HTTPS encryption and IP address filtering, ensures secure video handling and configuration.

The integrated two-way audio support enables identification of suspicious behavior and communication of orders or requests.

Pan/tilt/zoom and dome cameras may be connected to the unit's serial port and are easily controlled from a user interface

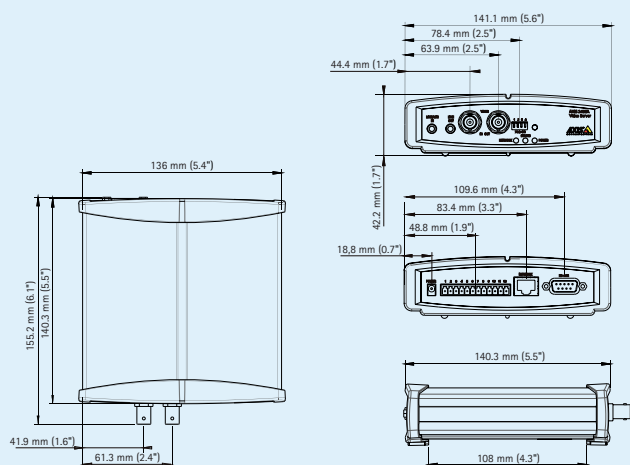


Technical specifications – AXIS 243SA Video server

Video encoder		System integration	
Video compression	MPEG-4 Part 2 (ISO/IEC 14496-2) Motion JPEG	Application Programming Interface	Open API for software integration, including VAPIX® from Axis Communications available at www.axis.com
Resolutions	704x576 to 160x120	Intelligent video	Video motion detection, active tampering alarm, audio detection
Frame rate MPEG-4	30/25 (NTSC/PAL) fps in all resolutions	Alarm triggers	Intelligent video, external inputs, product restart, video loss
Frame rate Motion JPEG	30/25 (NTSC/PAL) fps in all resolutions	Alarm events	File upload via FTP, HTTP and email Notification via email, HTTP and TCP External output activation PTZ presets Local storage
Video streaming	Simultaneous MPEG-4 and Motion JPEG Controllable frame rate and bandwidth VBR/CBR H.264	Video buffer	9 MB pre- and post-alarm
Image settings	Compression, color Rotation: 90°, 180°, 270° Aspect ratio correction Text and image overlay Privacy mask Deinterlace filter	Pan/Tilt/Zoom	Wide range of analog PTZ cameras supported (drivers available for download at www.axis.com) 20 presets, guard tour, PTZ control queue Supports Windows compatible joysticks
Audio		General	
Audio streaming	Two way, full or half-duplex	Casing	Metal casing. Standalone, stackable or with brackets for wall or cage mount
Audio compression	G.711 PCM 8 kHz 64 kbit/s G.726 ADPCM 8 kHz 32 or 24 kbit/s	Processors and memory	ETRAX 100LX, ARTPEC-2, 32 MB RAM, 8 MB Flash
Audio input/output	External microphone input or line input Line level output	Power	7 – 20 V DC, max. 8 W
Network		Connectors	Analog composite video NTSC/PAL auto-sensing: 1 BNC input, 1 BNC output (loopthrough) or Y/C video input RJ-45 10BASE-T/100BASE-TX I/O terminal block for four alarm inputs and four alarm outputs, RS-485, alternative power connection D-sub for RS-232 3.5 mm mic/line in, 3.5 mm line out
Security	Password protection, IP address filtering, HTTPS encryption, IEEE 802.1X network access control	Operating conditions	5 – 50 °C (41 – 122 °F) Humidity 20 – 80% RH (non-condensing)
Supported protocols	IPv4/v6, HTTP, HTTPS, QoS layer 3 DiffServ, FTP, SMTP, Bonjour, UPnP, SNMPv1/v2c/v3(MIB-II), DNS, DynDNS, RTSP, RTP, TCP, UDP, IGMP, RTCP, ICMP, DHCP, ARP, SOCKS	Approvals	EN 55022 Class B, EN 61000-3-2, EN 61000-3-3, EN 55024, FCC Part 15 Subpart B Class B, ICES-003 Class B, VCCI Class B, C-tick AS/NZS CISPR 22, EN 60950-1 Power supply: EN 60950-1, UL, cUL
		Weight	540 g (1.2 lb.)
		Included accessories	Power supply, mounting and connector kits, Installation Guide, CD with installation and management tools, software and User's Manual, 1 Windows decoder user license

More information is available at www.axis.com

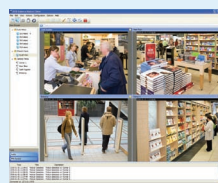
Dimensions



Optional accessories



AXIS 295
Video Surveillance Joystick



For information on AXIS Camera Station and video management software from Axis' Application Development Partners, see www.axis.com/products/video/software/