

AXIS 225FD Fixed Dome Network Camera

Professional video surveillance in tough conditions.



- > Vandal resistant
- > Superior image quality
- > Simultaneous MPEG-4 and Motion JPEG
- > Powerful event management
- > Power over Ethernet

AXIS 225FD Fixed Dome Network Camera has a discreet, vandal-resistant design that gives maximum protection in tough conditions. It offers a perfect solution for securing school and university campuses, railway stations, parking lots and other facilities.

Vandal-resistant and outdoor-proof, with built-in heater and fan, AXIS 225FD gives maximum protection in tough environmental conditions.

AXIS 225FD delivers crisp and clear images, day and night, thanks to its progressive scan sensor and automatically removable IR filter.

Simultaneous MPEG-4 and Motion JPEG allow systems to be optimized for both image quality and bandwidth.

The camera provides powerful event management with video motion detection, active tampering alarm and pre- and post-image buffering.

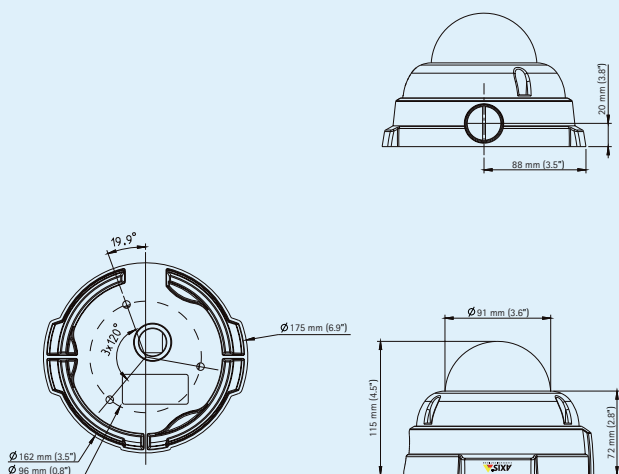
AXIS 225FD allows for versatile adjustment at installation by panning, tilting and rotating the varifocal lens to any camera angle desired. It supports Power over Ethernet, allowing power to be delivered via the network, which eliminates the need for power cables and reduces installation costs.



Technical specifications – AXIS 225FD Network Camera

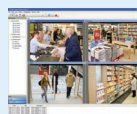
Camera		System integration	
Models	AXIS 225FD: Standard lens AXIS 225FD 22 mm: Tele lens	Application Programming Interface	Open API for software integration, including VAPIX® from Axis Communications available at www.axis.com
Image sensor	1/4" Progressive scan RGB CCD	Intelligent video	Video motion detection, active tampering alarm
Lens	AXIS 225FD: varifocal 2.8 – 5.8 mm, F1.4, DC-iris, horizontal angle of view: 36° – 75° AXIS 225FD 22 mm: varifocal 9 – 22 mm, F1.5, DC-iris, horizontal angle of view: 10° – 22° Focus range: 0.3 to infinity	Alarm triggers	Intelligent video, temperature limits and external input
Minimum illumination	AXIS 225FD: Color: 1 lux, F1.4 B/W: 0.2 lux, F1.4 AXIS 225FD 22 mm: Color: 1.5 lux, F1.5 B/W: 0.3 lux, F1.5	Alarm events	File upload via FTP, HTTP and email Notification via email, HTTP and TCP External output activation
Shutter time	1/12500 s to 2 s	Video buffer	9 MB pre-and post alarm
Camera angle adjustment	Pan 360°, tilt 170°, rotation 340°	General	
Video		Casing	Metal base and polycarbonate transparent cover Impact resistant casing 1000 kg (2200 lb.) IP66-rated
Video compression	MPEG-4 Part 2 (ISO/IEC 14496-2) Motion JPEG	Processors and memory	ARTPEC-2, 32 MB RAM, 8 MB Flash
Resolutions	640x480 – 160x120	Power	Camera and built-in fan: 9 – 24 V DC, max 5.5 W 10 – 24 V AC, max 8 VA Power over Ethernet IEEE 802.3af, Class 2 When using the built-in heater: 12 V DC, max 20 W 24 V AC, max 25 VA
Frame rate MPEG-4	Up to 30 fps in all resolutions	Connectors	RJ-45 for 10BASE-T/100BASE-TX, DC jack Terminal block for 2 alarm inputs and 1 output RS-485/422
Frame rate Motion JPEG	Up to 30 fps in all resolutions	Operating conditions	5 – 50 °C (41 – 122 °F) With heater: -20 – 50 °C (-4 – 122 °F) Humidity 20 – 80% RH (non-condensing)
Video streaming	Simultaneous MPEG-4 and Motion JPEG Controllable frame rate and bandwidth VBR/CBR MPEG-4	Approvals	EN 55022 Class B, EN 55024, EN 61000-3-2, EN 61000-3-3, FCC Part 15 Subpart B Class B, VCCI Class B, C-tick AS/NZS CISPR22, ICES-003 Class B, EN60950-1 Power supply: EN 60950-1, UL, cUL
Image settings	Compression, color, brightness, contrast, sharpness, white balance, exposure control, exposure area, rotation, backlight compensation, fine tuning of behavior Text and image overlay Privacy mask	Weight	1.3 kg (2.8 lb.)
Network		Included accessories	Installation Guide, CD with User's Manual, recording software, installation and management tools, cable gland, connector kit, power indoor supply, Windows decoder 1-user license
Security	Password protection, IP address filtering, HTTPS encryption, IEEE 802.1X network access control, user access log	More information is available at www.axis.com	
Supported protocols	IPv4/v6, HTTP, HTTPS, QoS Layer 3 DiffServ, FTP, SMTP, Bonjour, UPnP, SNMPv1/v2c/v3 (MIB-II), DNS, DynDNS, NTP, RTSP, RTP, TCP, UDP, IGMP, RTCP, ICMP, DHCP, ARP, SOCKS		

Dimensions



Optional accessories

Pendants kits



AXIS Camera Station – Video management software
See www.axis.com/partner/adp_partners.htm for more information.