

Axis 240Q Video Server

Digital benefits for analog surveillance systems.



- > Four-channel video server
- > High quality video at 6/5 fps
- > Video motion detection
- > Support for PTZ and dome cameras
- > Comprehensive security features

AXIS 240Q Video Server provides easy integration with traditional analog systems, ensuring a smooth migration toward an IP solution. Combining analog camera investments with a network video solution gives a flexible and cost-effective solution with plenty of room for growth.

AXIS 240Q can connect up to four analog cameras and transmit digital video from all four channels simultaneously via an Ethernet connection.

Analog video is digitized into crisp, real-time Motion JPEG video streams at a maximum frame rate of 6/5 frames per second on each channel independent of resolution.

AXIS 240Q offers advanced event handling with video motion detection, I/O control and alarm notification.

Pan/tilt/zoom and dome cameras may be connected to the unit's serial port and are easily controlled from a user interface.

A comprehensive set of security features includes, among other things, multiple user access levels, IP address filtering, HTTPS encryption and IEEE 802.1X authentication.



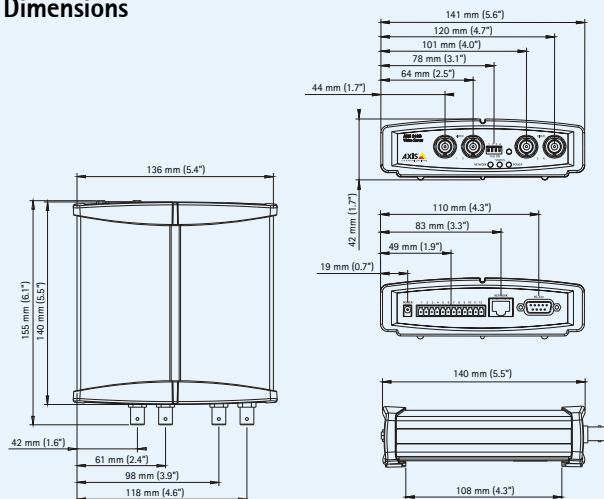
Technical specifications – AXIS 240Q Video Server

Video server	
Models	AXIS 240Q: Four port Video Server Also available as blade version for Video Rack Solution
Video compression	Motion JPEG
Resolutions	160x120 to 704x576
Frame rate	Up to 6/5 (NTSC/PAL) fps
Motion JPEG	
Video streaming	Motion JPEG Controllable frame rate and bandwidth
Image settings	Compression, color, rotation, aspect ratio correction Text and image overlay Privacy mask De-interlace filter
Network	
Security	Password protection, IP address filtering, HTTPS encryption, IEEE 802.1X network access control
Supported protocols	IPv4/v6, HTTP, HTTPS, QoS layer 3 DiffServ, FTP, SMTP, Bonjour, UPnP, SNMPv1/v2c/v3(MIB-II), DNS, DynDNS, TCP, UDP, ICMP, DHCP, ARP, SOCKS
System integration	
Application Programming Interface	Open API for software integration, including VAPIX® from Axis Communications available at www.axis.com
Intelligent video	Video motion detection
Alarm triggers	Intelligent video, external input
Alarm events	File upload via FTP, HTTP and email Notification via email, HTTP and TCP External output activation
Video buffer	3 MB pre- and post-alarm per channel
Pan/Tilt/Zoom	Wide range of analog PTZ cameras supported (drivers available for download at www.axis.com) 20 presets/camera, guard tour, PTZ control queue Supports Windows compatible joysticks

General	
Casing	Metal
Processors and memory	ETRAX 100LX, ARTPEC-2, 32 MB RAM, 8 MB Flash
Power	7 – 20 V DC, max 8 W
Connectors	Analog composite video NTSC/PAL auto-sensing: 4 BNC inputs RJ-45 10BASE-T/100BASE-TX Terminal block: I/O terminal block for four configurable inputs/outputs RS-485/ RS-422 D-sub for RS-232 port
Operating conditions	5 – 50 °C (41 – 122 °F) Humidity 20 – 80% RH (non-condensing)
Approvals	EN 55022 Class B, EN 61000-3-2, EN 61000-3-3, EN 55024, FCC Part 15 Subpart B Class B, ICES-003 Class B, VCCI Class B, C-tick AS/NZS CISPR 22, EN 60950-1 Power supply: EN 60950-1, UL, cUL
Weight	540 g (1.2 lb.)
Included accessories	Power supply, mounting and connector kits, Installation Guide, CD with installation and management tools, software and User's Manual, 1 Windows decoder user license

More information is available at www.axis.com

Dimensions



Optional accessories

AXIS Rack Solution



AXIS 295
Video Surveillance Joystick



For information on AXIS Camera Station and video management software from Axis' Application Development Partners, see www.axis.com/products/video/software/